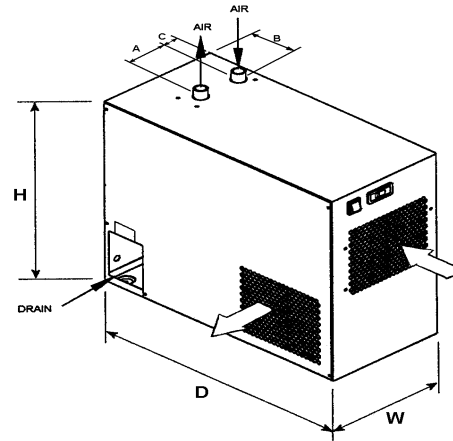


### Specifications

#### Operating Conditions:

- Maximum inlet air temperature: 140°F (38°C)
- Minimum inlet air temperature: 40°F (5°C)
- Maximum ambient air temperature: 122°F (50°C)
- Minimum ambient air temperature: 40°F (5°C)
- Maximum operating pressure:
  - Standard: 232 psig (16 bar g)
  - Optional: 250 psig (17.2 bar g) <sup>5</sup>
- Electrical requirements: 115 V/1Ø/60 Hz



**MODEL SELECTION CHART**

Model <sup>1</sup>	Flow Capacity <sup>2</sup>		Pressure Drop		Power <sup>3</sup>	Dimensions inches (cm)														In-Out		Approx. <sup>4</sup> Ship Wt.	
						H		W		D		A		B		C		E					
	scfm	Nm <sup>3</sup> /min	psig	bar g	kW	inches	cm	inches	cm	inches	cm	inches	cm	inches	cm	inches	cm	inches	cm	NPT (inches)	lbs.	kg	
DS5	5	0.14	0.4	0.02	0.26	17.9	45.5	7.8	19.8	17.7	45.0	2.0	5.1	3.2	8.1	1.6	4.0	14.6	37.1	3/8	40	18	
DS10	10	0.28	1.3	0.09	0.26	17.9	45.5	7.8	19.8	17.7	45.0	2.0	5.1	3.2	8.1	1.6	4.0	14.6	37.1	3/8	40	18	
DS15	15	0.4	2.4	0.17	0.29	17.9	45.5	7.8	19.8	17.7	45.0	2.0	5.1	3.2	8.1	1.6	4.0	14.6	37.1	3/8	44	20	
DS25	25	0.7	2.3	0.14	0.36	20.9	53.0	11.1	28.2	23.6	59.9	3.9	9.9	4.5	11.4	1.6	4.0	20.5	52.1	1/2	71	32	
DS35	35	1.0	3.1	0.26	0.51	20.9	53.0	11.1	28.2	23.6	59.9	3.9	9.9	4.5	11.4	1.6	4.0	20.5	52.1	1/2	73	33	
DS50	50	1.4	2.9	0.23	0.69	23.8	60.5	13.9	35.3	27.6	70.1	3.9	9.9	4.5	11.4	1.6	4.0	24.4	62.0	3/4	101	46	
DS75	75	2.1	3.4	0.23	0.86	23.8	60.5	13.9	35.3	27.6	70.1	3.9	9.9	4.5	11.4	1.6	4.0	24.4	62.0	3/4	122	55	
DS100	100	2.8	4.6	0.34	1.19	23.8	60.5	13.9	35.3	27.6	70.1	3.9	9.9	4.5	11.4	1.6	4.0	24.4	62.0	3/4	128	58	

Notes:

1. All models listed are air-cooled.
2. Performance data obtained in accordance with CAGI Standard No. ADF 100, Refrigerated Compressed Air Dryer – Methods for Testing & Rating. Rating conditions are 100°F (37.8°C) inlet temperature, 100 psig (6.9 bar) inlet pressure, 100% relative humidity, 100°F (37.8°C) ambient air temperature and 5 psid (0.35 bar) pressure drop with a 38°F (3.3°C) pressure dew point.
3. Input power requirement shown is for an air-cooled unit. The total input kW shown includes the refrigeration compressor, refrigerant condenser fan, Aftercooler fan and controls.
4. Shipping weight is approximate.
5. Requires optional EDV field kit (CCN 16542409) or Item No. 736-010.

