



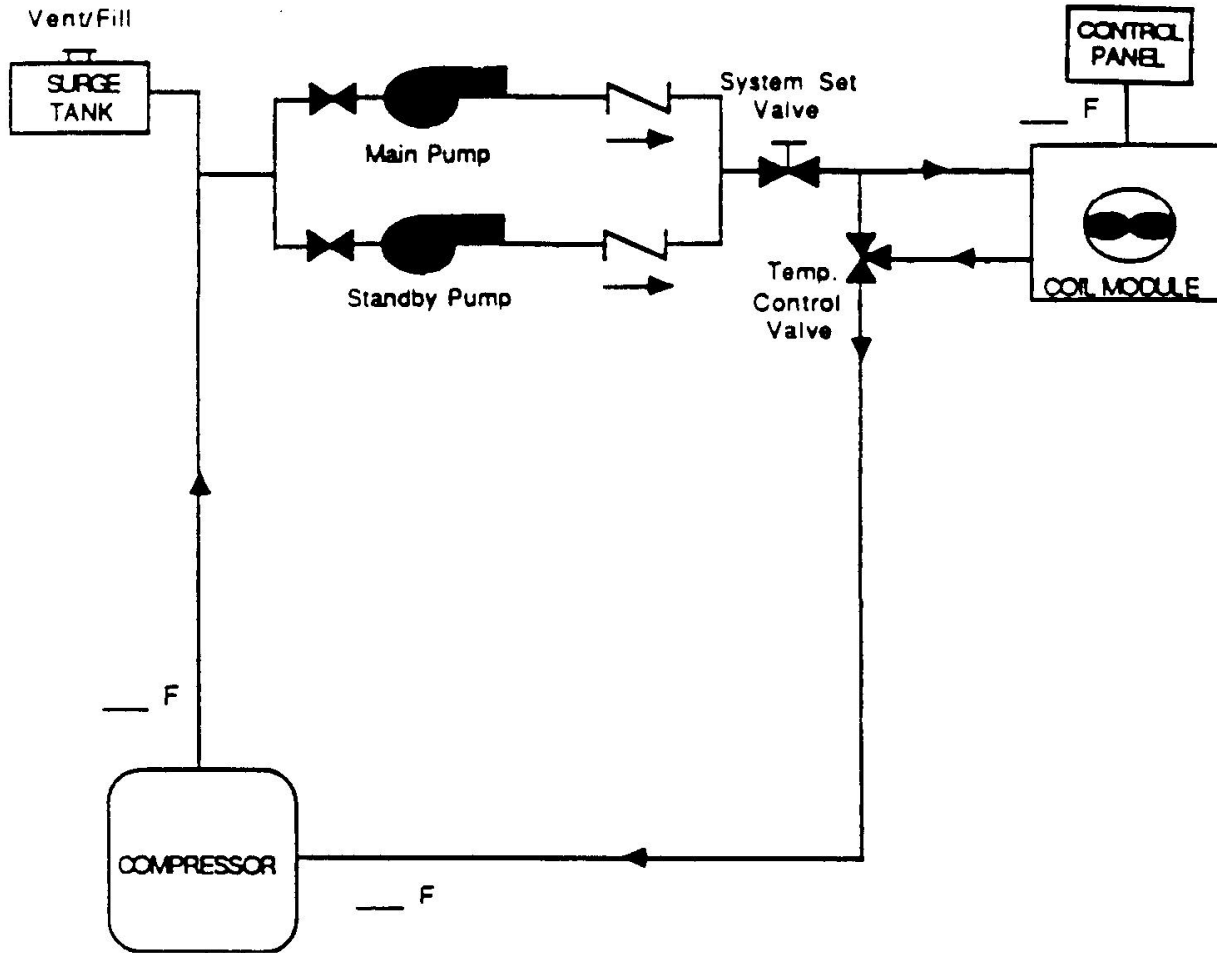
CLOSED LOOP DRY FLUID COOLERS

Ref: 11435.07
 Date: 19 March 2001
 Cancels: 11435.10 dated
 24 February 1997

Air Solutions Group
 Davidson, NC 28036

RECOMMENDED SYSTEM FLOW SCHEMATIC

(WITHOUT TRIM COOLER)



SYSTEM DESIGN DATA

Heat Load: _____ BTU/HR
 Fan(s): Number _____ HP(each) _____
 Pump(s): Single _____ Dual _____
 GPM Flow _____ PSI _____
 Power Supply: _____ V/3ph/ _____ Hz

Date: _____
 Customer Name: _____
 Location: _____
 Quote Number: _____
 Compressor Type/Model: _____
 Fluid Cooler Model: _____
 Pump Model: _____
 Thermostatic Valve: _____
 Other: _____