

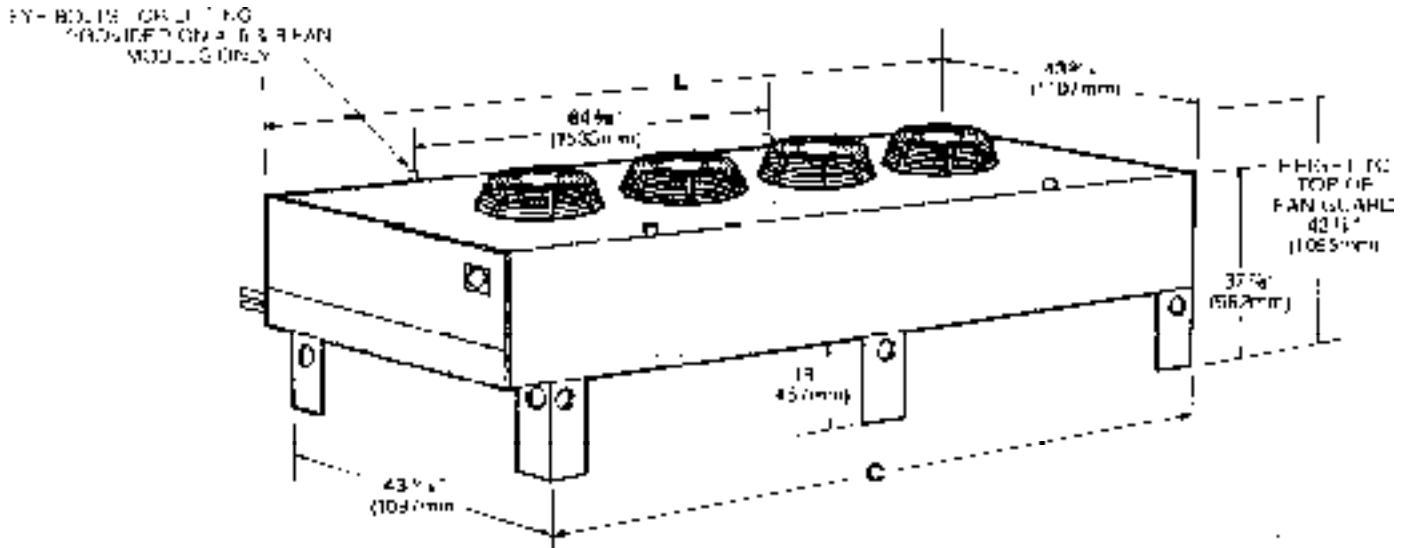
# CLOSED LOOP DRY FLUID COOLERS

Air Solutions Group  
Davidson, NC 28036

Ref: 11435.01  
Date: 19 March 2001  
Cancels: 24 February 1997

## DIMENSIONAL DATA

FIGURE 1



## PHYSICAL DATA

MODEL	A	B	C	L	# FANS AND MOTORS**	CONN FNPT IN/OUT
Standard Models						
IR2 - 033	42	-	44	51 1/2	1	3/4
IR2 - 069	42	-	44	51 1/2	1	1 1/4
IR2 - 092	42	-	44	51 1/2	1	1 1/2
IR2 - 109	42	-	44	51 1/2	1	2
IR2 - 112	42	-	44	51 1/2	1	2
IR2 - 139	82	-	84	91 1/2	2	2
IR2 - 174	82	-	84	91 1/2	2	2
IR2 - 197	82	-	84	91 1/2	2	2
IR2 - 225	82	-	84	91 1/2	2	2
IR2 - 260	122	-	124	131 1/2	3	2
IR2 - 310	122	-	124	131 1/2	3	2
IR2 - 350	122	-	124	131 1/2	3	2
IR2 - 419	82	80	164	171 1/2	4	2
IR2 - 466	82	80	164	171 1/2	4	2 1/2
IR2 - 491	82	80	164	171 1/2	4	2 1/2

- Connections are ODS
- \*\* Motors are 3/4 HP

NOTE: Do not use for construction purposes.