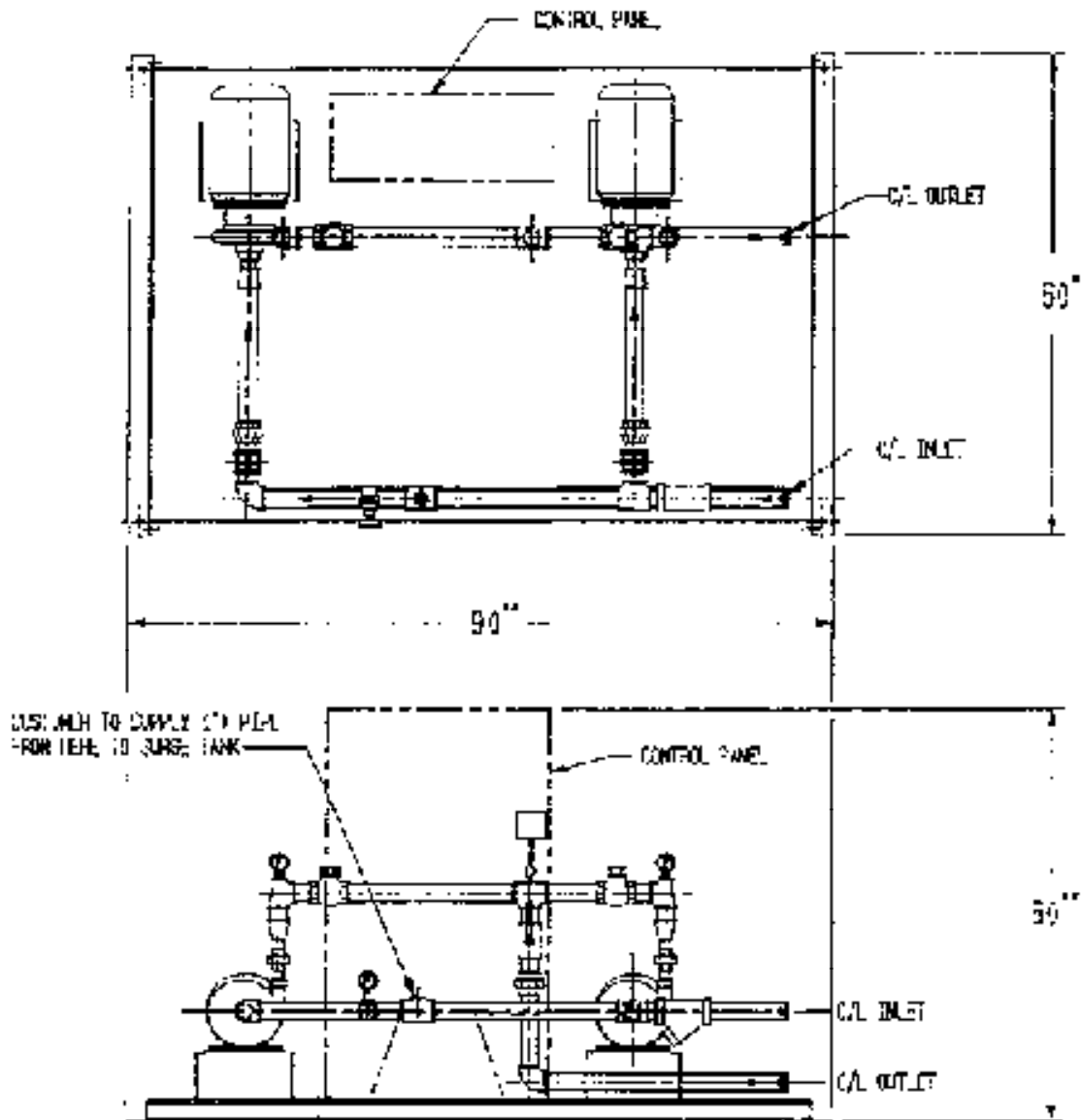


CLOSED LOOP EVAPORATIVE COOLERS

Air Solutions Group
Davidson, NC 28036

Ref: 11417.13
Date: 19 March 2001
FIRST EDITION

DUAL PUMP MODULE



MODEL NO.	HP	INLET "A" NPT	OUTLET "B" NPT	WGT lbs.
DP-215B	3	2 FLG	2 FLG	425
DP-220	5	2 FLG	2 FLG	485

NOTE: All Dimensions and Weights are approximate.
Do Not Use for Construction Purposes.

