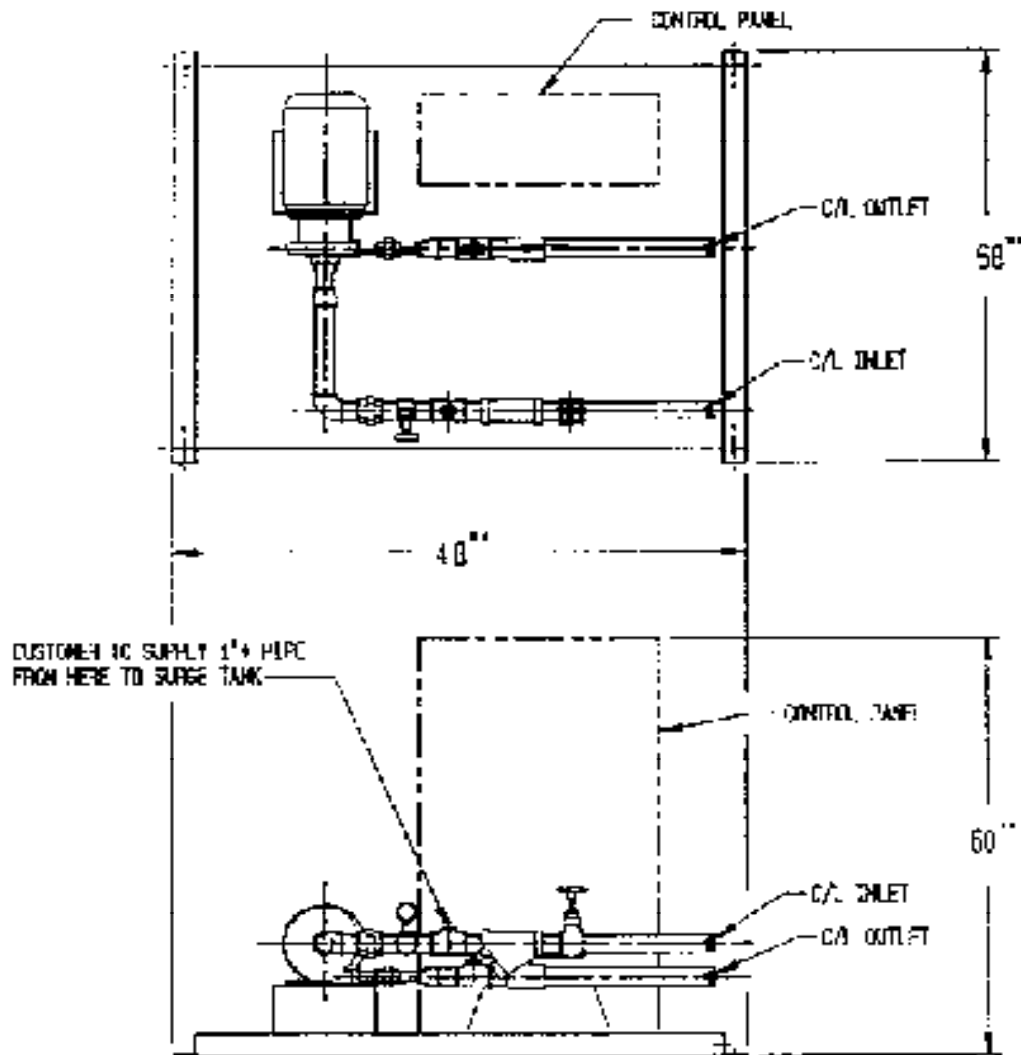


CLOSED LOOP EVAPORATIVE COOLERS

Ref: 11417.12
Date: 19 March 2001
FIRST EDITION

Air Solutions Group
Davidson, NC 28036

SINGLE PUMP MODULE



| MODEL NO. | HP | INLET "A" NPT | OUTLET "B" NPT | WGT lbs. |
|-----------|----|------------------|-------------------|-------------|
| P-215B | 15 | 3" FLG | 3" FLG | 900 |
| P-220 | 20 | 3" FLG | 3" FLG | 1000 |

NOTE: All Dimensions and Weights are approximate.
Do Not Use for Construction Purposes.