



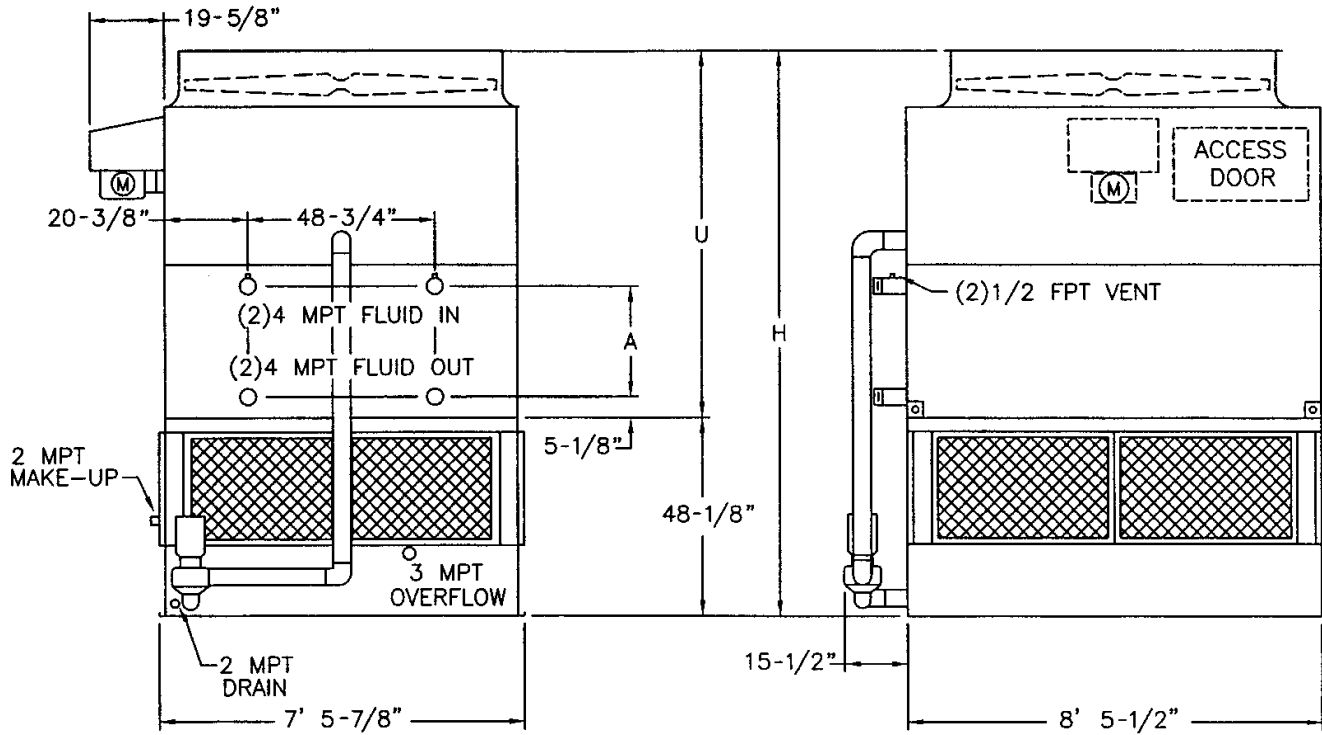
**Ingersoll-Rand**

# CLOSED LOOP EVAPORATIVE COOLERS

Air Solutions Group  
Davidson, NC 28036

Ref: 11417.05  
Date: 12 March 2001  
FIRST EDITION

**INDUCED DRAFT DESIGN**  
**Engineering Data & Dimensions**  
**Models I-R 5BS3 to I-R 5BQ6 (8.5' x 7.5' Units)**



I-R Model Number	Weights			Fans		Spray Pump		Coil Volume (Gallons)	Dimensions		
	Shipping	Heaviest Section*	Operating	HP	CFM	HP	GPM		H	U	A
5BS3	7,190	5,890	10,580	7.5	33,420	2	340	140	10' 6-1/2"	6' 6-3/8"	19-1/2"
5BR3	7,220	5,920	10,610	10	36,580	2	340	140	10' 6-1/2"	6' 6-3/8"	19-1/2"
5BS4	8,290	6,990	12,040	7.5	32,440	2	340	184	11' 2"	7' 1-7/8"	27"
5BR4	8,320	7,020	12,070	10	35,520	2	340	184	11' 2"	7' 1-7/8"	27"
5BR5	9,490	8,190	13,590	10	34,450	2	340	226	11' 9-1/2"	7' 9-3/8"	34-1/2"
5BQ5	9,550	8,250	13,650	15	38,590	2	340	226	11' 9-1/2"	7' 9-3/8"	34-1/2"
5BR6	10,660	9,360	15,120	10	33,390	2	340	268	12' 5"	8' 4-7/8"	42"
5BQ6	10,720	9,420	15,180	15	37,400	2	340	268	12' 5"	8' 4-7/8"	42"

\* Heaviest section is the coil/fan section.