

REVISIONS					
ZONE	REV	ECN	DESCRIPTION	DATE	APP'D
	A	79093	ORIGINAL RELEASE	2010SEP27	J. HUNT B. WARREN
1C, 5 1D, 6 1D, 5 1D, 4 1D, 3	B	79565	MOVED RC1 AND RC2, ADDED RC3 ADDED RC4 CHANGED CDV TO CDV1, ADDED CDV2 AND CDV3 ADDED TERMINAL NUMBERS TO FR1 CHANGED NOTE TO SAY "PARALLEL" INSTEAD OF "SERIES" CHANGED MCB6 TO FU7,8,9 AND CHANGED SYMBOL UPDATED CT RATIO TABLE MOVED 3ATS AND ADDED K4 AND RC5 ADDED KM1-5 AND K4-1 CONTACTS CHANGED "MCB6" TO "FU7,8,9" CHANGE WIRING FOR TERMINAL 15 TO JUMP TO TERMINAL 12 ADDED INLET VALVE HEATER (IVH)	2011MAR10	C. LEAMON B. WARREN
1C, 8 1A, 8 2B, 4 2C, 5 3C, 7 3B, 4	C	79852	"TO FU7,8,9" WAS "TO MCB6". CONT WAS SGN REMOVED RATING FOR MCB1 AND ADDED ALT. ADDED CONNECTION DIAGRAM FOR 12 LEAD MOTOR REMOVED RATING FOR FU7,8,9 ADDED CONT AND TRM TO LEGEND NOTE 8 37-75KW WAS 55-57KW 575V WIRING DETAIL 37-75KW WAS 55-75KW REMOVED RATING FOR T1	2011JUN10	OWANESIAN B. WARREN
1C, 7 1D, 8	D	81015	RELOCATED DRYER POWER SUPPLY.	2012AUG22	OWANESIAN B. WARREN
2, D4 2, A6	E	81107	DETAIL "C": REMOVED 575V WIRING FOR 37-75KW; LOW AMBIENT OPTION DETAIL "C": ADDED 230V LOW AMBIENT ADDED 575V WATER COOLED ADDED 575V DRYER NOTE 9: ADDED 230V ADDED NOTE 11 AND NOTE 12	2012SEP24	W. SORAH G. DRAUGHN
2, D5	F	81440	UPDATED DRAWING TO THE LATEST FORMAT. UPDATED "WIRE DESIGNATION LEGEND" TABLE TO THE LATEST INFORMATION AND ADDED "WIRE SIZE" COLUMN.	2013JAN18	H. AVINASH J. DAVIS
D5 B8 C8 2	G	81610	REMOVED FR1 (60 HZ ONLY) REMOVED DETAIL A REMOVED (50HZ ONLY) AT FR1 REMOVED NOTE 7 AND RENUMBERED REMOVED CTX FROM LEGEND REVISED LOW AMBIENT OPTION DETAIL D	2013FEB18	C. LEAMON B. WARREN
1, C6 1, B6	H	82143	ADD FU1, 2, 3 WITH 1L1, 2L1, 3L1 CHANGE ORDER OF KM4 AND FU1, 2, 3 1L1, 1L2, 1L3 WAS 4L1, 4L2, 4L3. MODEL: R37-75 WAS R55-75.	2014FEB26	K. CODY B. WARREN
1, B6	J	82711	UPDATED THE DRAWING TO LATEST FORMAT, UPDATED MCB5 FROM 1A TO 3A.	2014MAY14	G. SATHISHA S. MARCUS
1, A6 2, D5 2, D4 2, A7	K	83025	NOTE 7 WAS NOTE 8 IN DETAIL B ADD FU1,2,3 AND 1L1, 1L2, 1L3 TO DETAIL C ADD NOTE 8 TO DETAIL C NOTES SECTION: NOTE 9 WAS NOTE 10 AND 11 (COMBINED INTO ONE). NOTE 10 WAS NOTE 9	2014AUG22	K. CODY B. WARREN
B6 C6	L	83336	MOVED FUSES FU1, 2 & 3 TO DETAIL B REORDERED FMP AND KM4 WIRING.	2014DEC12	N. VIJAY B. WARREN
2, D3	M	83412	REPLACE SYMBOL DETAIL C KM4 WITH FMP SYMBOL	2015JAN27	K. CODY H. XIANG
1, C7 1, C6 1, B8 2, D3 3, C7	N	83433	ADD NOTE 8 TO NOTE 9, REMOVE NOTE 8 ON FMP ADD DASHED BOX AROUND FMP, KM4 ADD ALTERNATE MOTOR WIRE NUMBERS REMOVE KM4 SYMBOL- 3L1, 3L2, 3L3 WAS 2L1, 2L2, 2L3 REMOVE VERTICAL DASH LINE	2015MAR03	K. CODY H. XIANG
1, C8 1, B8	P	83543	REVISE MAIN MOTOR LABELS: U3 V3 W3 WAS U5 V5 W5 (2 PLACES) AND W4 U4 V4 WAS W6 U6 V6 (2 PLACES)	2015MAR26	K. CODY H. XIANG
D5 D4	R	83357	REMOVE GROUND 1.3 AND LABEL X1 WAS KL1 ON CDV. X2 WAS KL2 ON CDE.	2015MAR30	K. CODY A. TRAVERS
1, D5	T	83778	REVISE CDV LINES TO ILLUSTRATE CONNECTION TO POSITIVE AND NEGATIVE	2015JUL07	K. CODY A. TRAVERS
1, C5	U	1215224	REMOVED RC1, RC2 & RC3	2017APR03	M. PRASHANT H. XIANG

NOTES:
1. DECAL MUST CONFORM TO THE LATEST REVISION OF IR SPECIFICATION 92-8.95.

WARNING: THE EXPORT OR REEXPORT OF THIS DRAWING OR A PRODUCT PRODUCED BY THIS DRAWING IS SUBJECT TO U.S. EXPORT ADMINISTRATION REGULATIONS AND OTHER APPLICABLE GOVERNMENT RESTRICTIONS OR REGULATIONS.

PROPRIETARY NOTICE
THIS DRAWING CONTAINS CONFIDENTIAL AND TRADE SECRET INFORMATION, IS THE PROPERTY OF INGERSOLL-RAND CO., AND IS GIVEN TO THE RECEIVER IN CONFIDENCE. THE RECEIVER BY RECEPTION AND RETENTION OF THE DRAWING ACCEPTS THE DRAWING IN CONFIDENCE AND AGREES THAT, EXCEPT AS AUTHORIZED IN WRITING BY INGERSOLL-RAND CO., IT WILL (1) NOT USE THE DRAWING OR ANY COPY THEREOF OR THE CONFIDENTIAL OR TRADE SECRET INFORMATION THEREIN; (2) NOT COPY THE DRAWING; (3) NOT DISCLOSE TO OTHERS EITHER THE DRAWING OR THE CONFIDENTIAL OR TRADE SECRET INFORMATION THEREIN; AND (4) UPON COMPLETION OF THE NEED TO RETAIN THE DRAWING, OR UPON DEMAND, RETURN THE DRAWING, ALL COPIES THEREOF, AND ALL MATERIAL COPIED THEREFROM.

DO NOT SCALE DRAWING
DRAWING CONFORMS TO ASME Y14.5M - 1994

CAD GENERATED DRAWING,
NO MANUAL REVISIONS ALLOWED

UNLESS OTHERWISE SPECIFIED:
- REMOVE ALL BURRS AND SHARP CORNERS
- WELD SYMBOLS TO BE IN ACCORDANCE WITH ANSI/AWS A2.4

COPYRIGHT © 2017
Ingersoll Rand
ALL RIGHTS RESERVED

THIRD ANGLE PROJECTION

DRAWN	J. HUNT	DATE	2010SEP27
CHECKED	B. WARREN	DATE	2010SEP27
APPROVED	B. WARREN	DATE	2010SEP27

DRAWING TYPE
Schematic Diagram

IR Ingersoll Rand

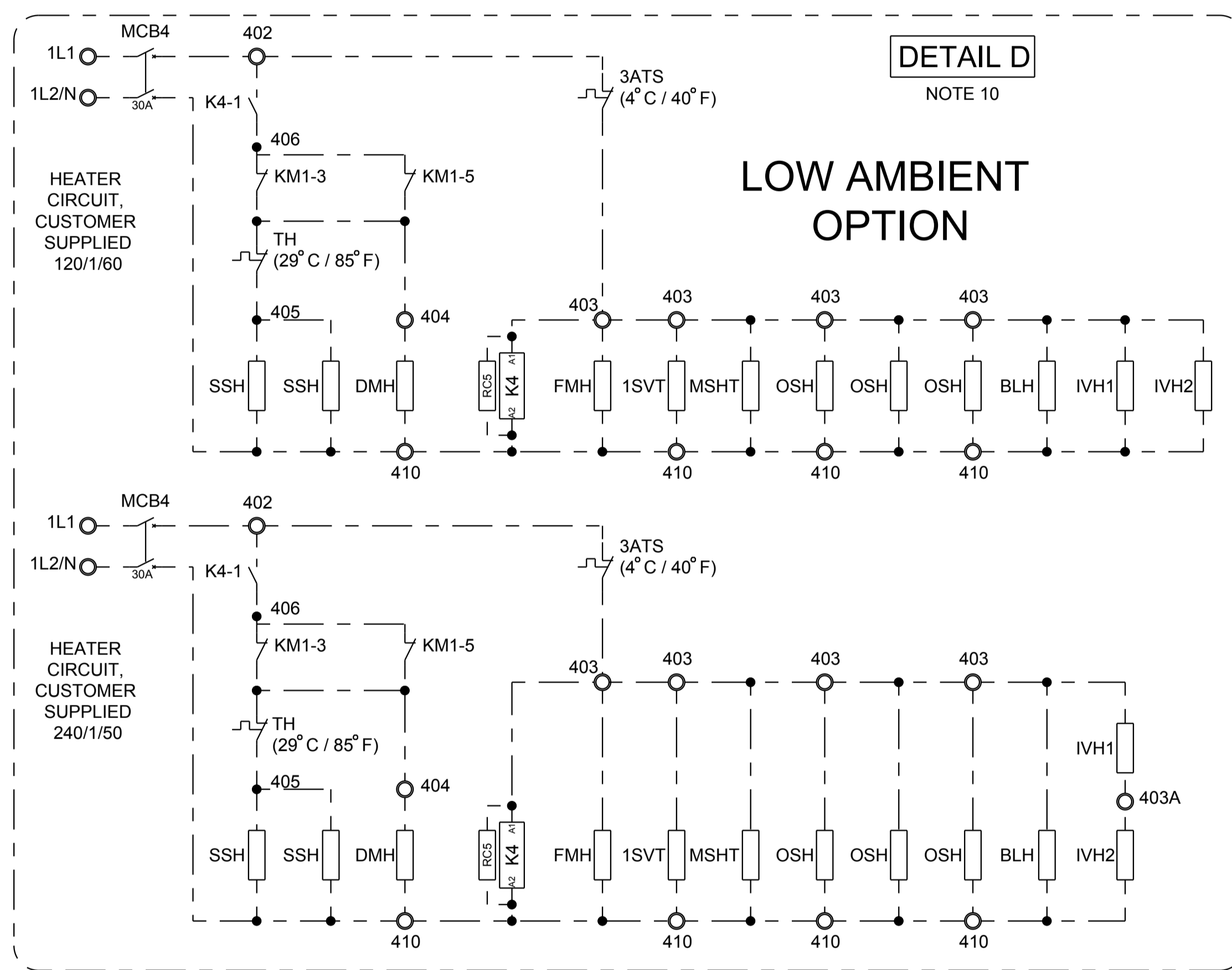
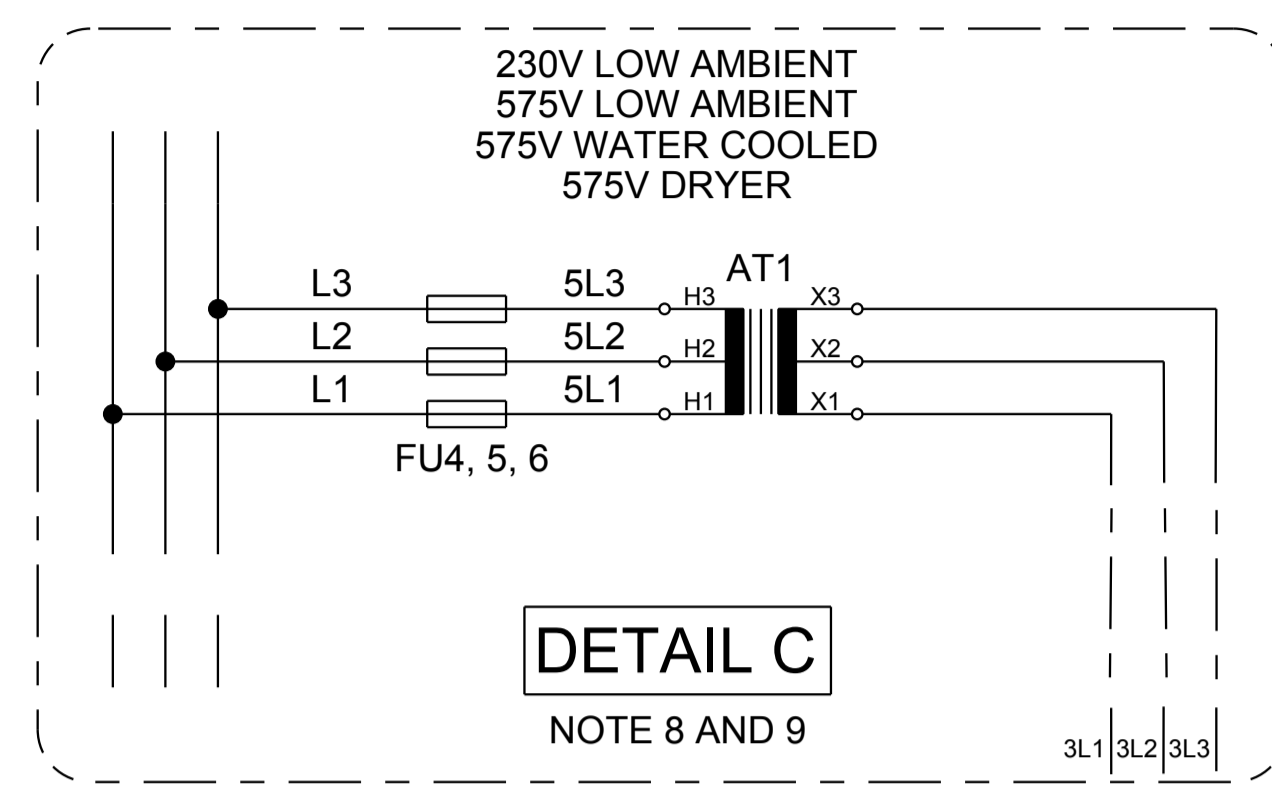
NAME: **SCHEMATIC, ELECTRICAL WIRING (FS-SD)**

SIZE	A1	ESTIMATED WEIGHT (KG UNLESS OTHERWISE SPECIFIED)	0.0 kilogram	DWG NO.	23603582	REVISION	U
SCALE	1.00	MODEL	R37-75	PART NO.		SHEET	1 of 3

LEGEND	
LABEL	DESCRIPTION
OV	ZERO VOLTAGE
1ATT	PACKAGE INLET TEMPERATURE
1AVPT	INLET VACUUM PRESSURE
1M1	DRYER COMPRESSOR MOTOR
1M2	DRYER FAN MOTOR
1P1	DRYER SAFETY PRESSURE SWITCH
1P2	DRYER SAFETY FAN PRESSURE SWITCH
1Qx	DRYER CIRCUIT BREAKERS
1SV	LOAD VALVE
1SVT	1SV HEAT TRACE
1T1	DRYER CONTROL POWER TRANSFORMER
2ATT	AIREND DISCHARGE TEMPERATURE
2CTT	INJECTED COOLENT TEMPERATURE
3APT	WET SUMP PRESSURE
3ATS	AMBIENT TEMP THERMOSTAT
3CTT	COOLANT COOLER OUT TEMP.
4APT	PACKAGE DISCHARGE PRESSURE
4ATT	PACKAGE DISCHARGE TEMPERATURE
4SV	WATER SHUT OFF VALVE (W/C ONLY)
5CPT	COOLANT FILTER IN PRESSURE
5DTT	DRYER DEWPOINT
5SV	MODULATION VALVE
6CPT	COOLANT FILTER OUT PRESSURE
6DTT	REFRIGERANT TEMPERATURE
7APT	PACKAGE A/C PRESSURE
9SV	MOISTURE SEPARATOR DRAIN VALVE
10APT	REMOTE PRESSURE
10SV	DRYER FILTER DRAIN VALVE
11SV	DRYER DRAIN VALVE
AT1	AUTO TRANSFORMER
AW1	AUXILIARY WARNING 1
AW2	AUXILIARY WARNING 2
BLH	BASE LEVEL HEATER
BP	BACKPANEL
CAB	CABINET
CAP	CAPACITOR
CDE1	CONDENSATE DRAIN ERROR (M/S)
CDE2	CONDENSATE DRAIN ERROR (DRYER FILTER)
CDE3	CONDENSATE DRAIN ERROR (DRYER DRAIN)
CDV1	CONDENSATE NO LOSS DRAIN VALVE (M/S)
CDV2	CONDENSATE NO LOSS DRAIN VALVE (DRYER FILTER)
CDV3	CONDENSATE NO LOSS DRAIN VALVE (DRYER DRAIN)
CTO	COMMON TRIP OUTPUT
CWO	COMMON WARNING OUTPUT
CONT	Xe CONTROLLER
DHP	DRYER HIGH PRESSURE SWITCH
DMH	DRIVE MOTOR HEATER
EB	EARTHING BAR
ES	EMERGENCY STOP BUTTON
FD	FAN DRIVE
FM	FAN MOTOR
FMH	FAN MOTOR HEATER
FMP	FAN MOTOR PROTECTOR
FR1	MAIN MOTOR OVERLOAD
FU-	FUSES
K2	PHASE MONITOR RELAY
K3	BLOWER DRIVE CONTROL RELAY
KM1	MAIN CONTACTOR
KM2	DELTA CONTACTOR
KM3	START CONTACTOR
KM4	FAN MOTOR CONTACTOR
KM5	DRYER COMPRESSOR CONTACTOR
KM6	DRYER FAN MOTOR CONTACTOR
MCB	CIRCUIT BREAKERS
MM	MAIN MOTOR
MSHT	MOISTURE SEPARATOR HEAT TRACE
OSH	OIL SUMP HEATER
PE	PROTECTED EARTH
PORO	POWER OUTAGE RESTART OPTION
PSU	POWER SUPPLY UNIT
PTCx	MOTOR WINDING THERMISTOR
R1	DRYER PRESSURE SWITCH RELAY
RCx	ARC SUPPRESSOR
RLE	REMOTE LOAD ENABLE
RLL	REMOTE LEAD LAG
RLU	REMOTE LOAD/UNLOAD
RSP	REMOTE STOP
RST	REMOTE START
SS	SOLID STATE RELAYS
SSH	STARTER SPACE HEATER
T1	CONTROL POWER TRANSFORMER
TH	THERMOSTAT
TRM	POWER TERMINAL
ZNR	ZENER DIODE
IVH	INLET VALVE HEATER

WIRE DESIGNATION LEGEND				
NUMBERS	FUNCTION	WIRE COLOR-EU STD	WIRE COLOR-UL STD	WIRE SIZE
1 - 99	POWER	BLACK	BLACK	A/R
100 - 199	AC CONTROL	RED	RED	18 AWG (1mm ²)
100 - 199	GROUNDED AC	GREEN / YELLOW	WHITE	18 AWG (1mm ²)
200 - 299	DC CONTROL	BLUE	BLUE	18 AWG (1mm ²)
300 - 399	AUXILIARY	RED / BLUE / BLACK	ORANGE	18 AWG (1mm ²)
400-499	AC POWER	ORANGE	RED	18 AWG (1mm ²)
GND	GROUNDED	GREEN / YELLOW	GREEN / YELLOW	A/R

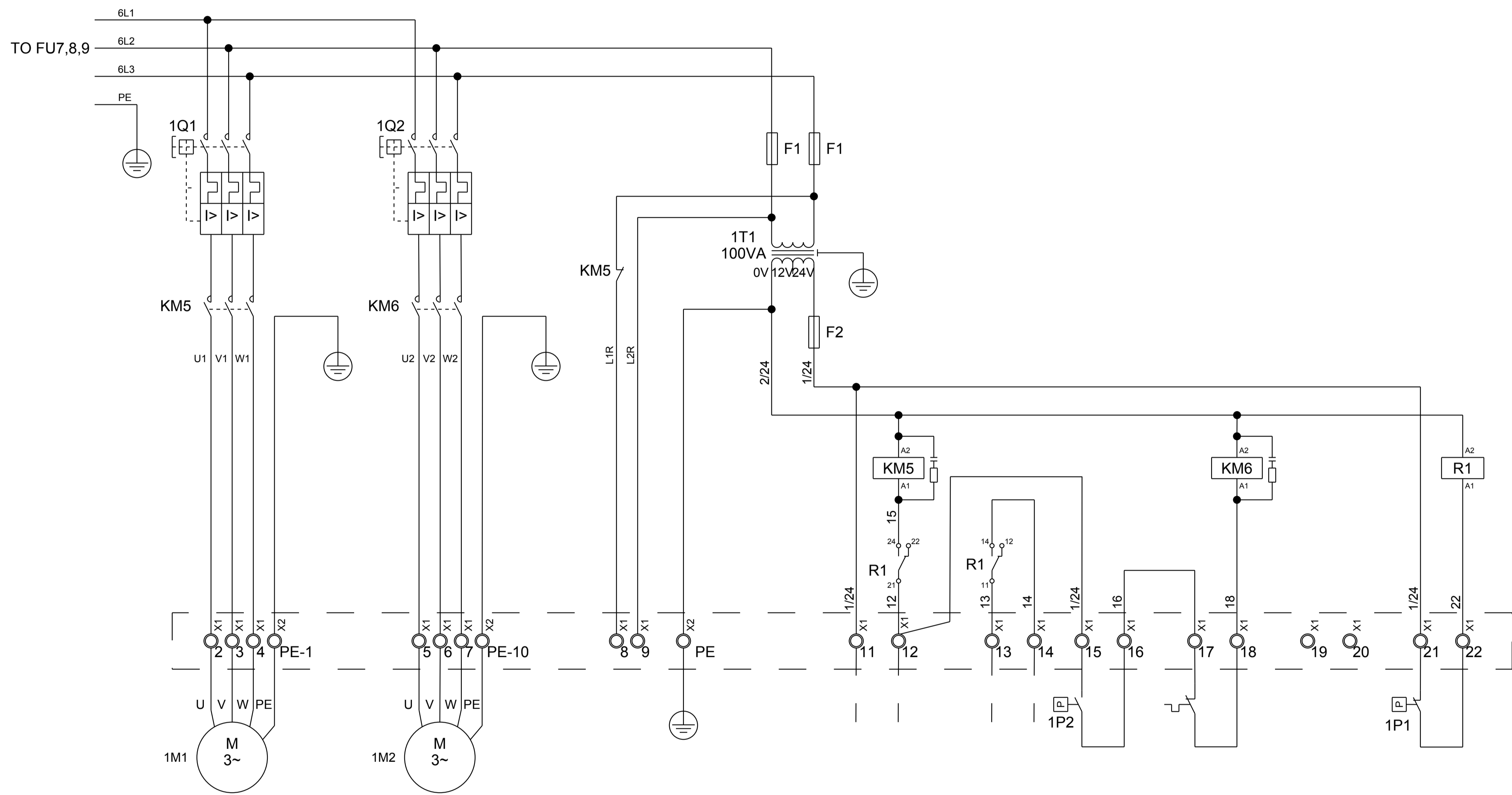
WIRE COLOR LEGEND	
LABEL	DESCRIPTION
BLK	BLACK
BLU	BLUE
BRO	BROWN
GRE	GREEN
PIN	PINK
RED	RED
VIO	VIOLET
WHI	WHITE
YEL	YELLOW



- NOTES:
- APPROVED FUSED DISCONNECT OR CIRCUIT BREAKER PER LOCAL ELECTRICAL CODES MUST BE PROVIDED BY THE CUSTOMER.
 - SENSORS 1ATT AND 3CTT ARE ONLY USED WHEN THE SMART THERMAL VALVE IS INSTALLED.
 - ONLY USED ON UNITS WITH INTEGRATED DRYERS.
 - INDICATES OPTIONAL COMPONENTS.
 - INDICATES OPTIONAL FIELD WIRED COMPONENTS.
 - REMOVE JUMPER(S) WHEN CORRESPONDING OPTION HAS BEEN PURCHASED.
 - A VARIABLE SPEED DRIVE IS REQUIRED FOR 37-75kW UNITS WITH LOW AMBIENT OPTION. SEE DETAIL B.
 - A THREE PHASE TRANSFORMER IS REQUIRED FOR 230V AND 575V 60 HZ UNITS WITH A VARIABLE SPEED DRIVE CONTROLLING THE BLOWER MOTOR. SEE DETAIL C.
 - A THREE PHASE TRANSFORMER IS REQUIRED FOR 575V 60 HZ UNITS WITH A DRYER. SEE DETAIL C.
 - THERMOSTAT AND TEMPERATURE SWITCH CONTACTS ARE NORMALLY CLOSED AND WILL OPEN WHEN THE TEMPERATURE MEETS OR EXCEEDS THE INDICATED SET POINT. SEE DETAIL D.

23603582 REV U
SHEET 2 OF 3

<small>PROPRIETARY NOTICE</small> THIS DRAWING CONTAINS CONFIDENTIAL AND TRADE SECRET INFORMATION IS THE PROPERTY OF INGERSOLL-RAND CO. AND IS GIVEN TO THE RECEIVER IN CONFIDENCE. THE RECEIVER BY RECEIPT AND RETENTION OF THIS DRAWING ACCEPTS THE DRAWING IN CONFIDENCE AND AGREES THAT, EXCEPT AS AUTHORIZED IN WRITING BY INGERSOLL-RAND CO. IT WILL (1) NOT USE THE DRAWING OR ANY COPY THEREOF OR THE CONFIDENTIAL OR TRADE SECRET INFORMATION THEREIN; (2) NOT COPY THE DRAWING; (3) NOT DISCLOSE TO OTHERS EITHER THE DRAWING OR THE CONFIDENTIAL OR TRADE SECRET INFORMATION THEREIN; AND (4) UPON COMPLETION OF THE NEED TO RETAIN THE DRAWING OR UPON DEMAND, RETURN THE DRAWING, ALL COPIES THEREOF, AND ALL MATERIAL COPIED THEREFROM.		NAME SCHEMATIC, ELECTRICAL WIRING (FS-SD)	
SIZE A1	DWG NO. 23603582	REVISION U	
SCALE 1.00	NOMENCLATURE	SHEET 2	OF 3



23603582 REV U
SHEET 3 OF 3

<small>PROPRIETARY NOTICE</small> <small>THIS DRAWING CONTAINS CONFIDENTIAL AND TRADE SECRET INFORMATION. IT IS THE PROPERTY OF INGERSOLL-RAND CO. AND IS GIVEN TO THE RECEIVER IN CONFIDENCE. THE RECEIVER BY ACCEPTANCE AND RETENTION OF THIS DRAWING ACCEPTS THE DRAWING IN CONFIDENCE AND AGREES THAT, EXCEPT AS AUTHORIZED IN WRITING BY INGERSOLL-RAND CO., IT WILL (1) NOT USE THE DRAWING OR ANY COPY THEREOF OR THE CONFIDENTIAL OR TRADE SECRET INFORMATION THEREIN; (2) NOT COPY THE DRAWING; (3) NOT DISCLOSE TO OTHERS EITHER THE DRAWING OR THE CONFIDENTIAL OR TRADE SECRET INFORMATION THEREIN; AND (4) UPON COMPLETION OF THE NEED TO RETAIN THE DRAWING, OR UPON DEMAND, RETURN THE DRAWING, ALL COPIES THEREOF, AND ALL MATERIAL COPIED THEREFROM.</small>		<small>NAME</small> SCHEMATIC, ELECTRICAL WIRING (FS-SD)	
<small>SIZE</small> A1	<small>DWG NO.</small> 23603582	<small>REVISION</small> U	
<small>SCALE</small> 1.00	<small>NOMENCLATURE</small>	<small>SHEET</small> 3 OF 3	